



VA | VARUSTE

62° 52.27' 00" – 27° 39.25' 40"

BOAT SEATS

CONSUMER PRICE LIST

13 MAY 2026

VA | MINI

VA-Mini is designed for comfortable and sporty boating. Thanks to its compact size, VA-Mini is suitable for most boat models.

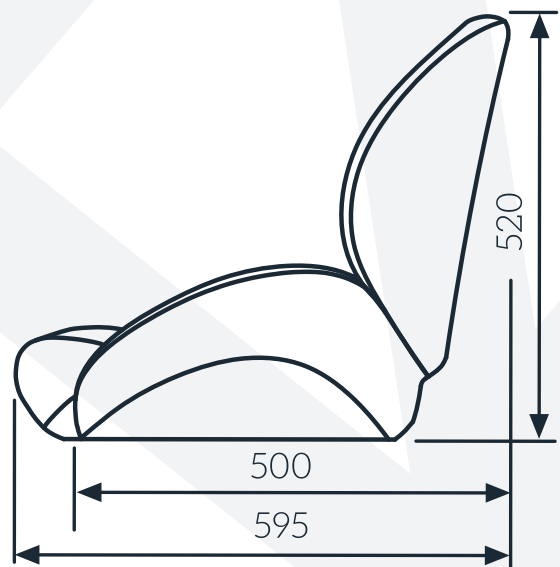
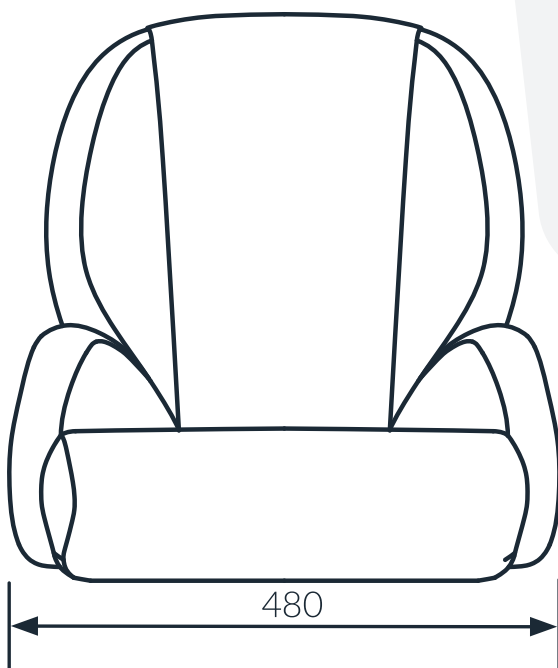
THE STYLISH SEAT WILL GIVE YOUR BOAT A NEW LOOK

The front part of the seat can be raised, which is handy when steering standing up. You can also sit on the front part of the seat when it has been raised. Good design provides support also from the sides and helps you keep steady steering posture also in rougher weather.

FINNISH QUALITY

The design and manufacture of VA-Mini is Finnish high-quality work. The frame of the seat has been manufactured by injection moulding from hard HDPE plastic and aluminium parts.

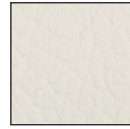
VA-Mini can be produced in the materials and colours of your choice.



Please note that the seat price does not include the leg or slide.

VA | MINI

WHITE



Material: White artificial leather

Sutures: White

320€ / pc (incl. VAT)

Extra price for storage pocket:

31€ (incl. VAT)

Protective hood 41€ / pc (incl. VAT)

VA | MINI

LUXUS BROWN



Material: Outer surfaces of sand-toned (Taupe) Silvertex material. Linings of luxurious Diamante Espresso material.

Sutures: Beige

370€ / pc (incl. VAT)

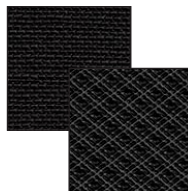
Extra price for storage pocket:

31€ (incl. VAT)

Protective hood 41€ / pc (incl. VAT)

VA | MINI

LUXUS GREY



Materiaali: Outer surfaces grey (carbon) Silvertex material. Linings of luxurious Diamante Meteor material.

Sutures: Silver grey

370€ / pc (incl. VAT)

Extra price for storage pocket:

31€ (incl. VAT)

Protective hood 41€ / pc (incl. VAT)

VA | PRO

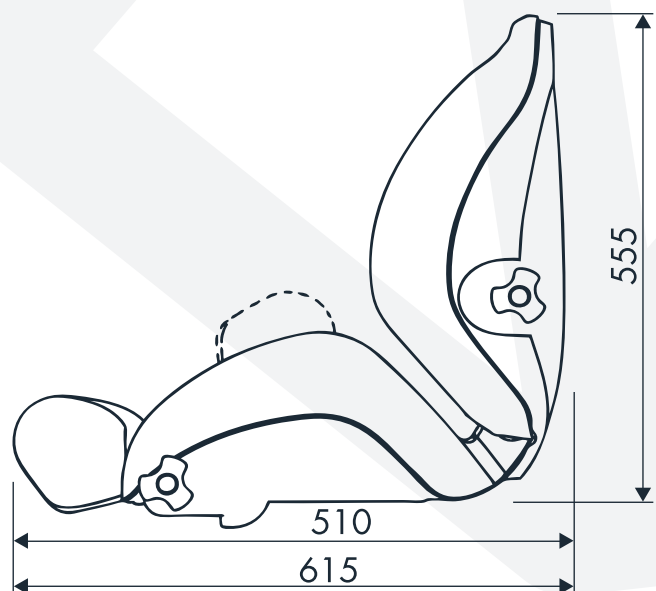
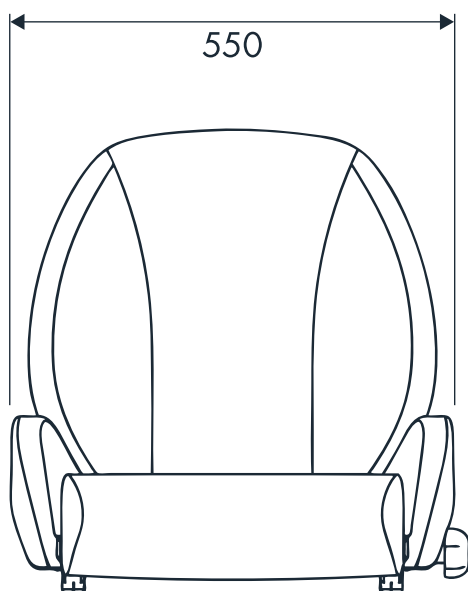
The VA-Pro seat is designed for safe and pleasant boating. The adjustable backrest and front edge of the seat can be easily locked into one of the four positions to attain an ergonomic and safe driving position. Featuring a patented quick-adjustment mechanism, the seat is effortlessly adjusted to individual preferences and needs.

COMFORT FOR BOATING

The superior design of the seat provides good side support and helps to maintain a stable steering position, even in rough weather. The adjustable seat portion can be conveniently folded up for a steady driving position, also when driving standing up is preferred.

FINNISH QUALITY

The seat base is injection-moulded from durable highimpact plastic, and secured to a strong aluminium frame. This hybrid structure ensures maximum durability in heavy use. VA-Boat seats are high-quality Finnish products.



Please note that the seat price does not include the leg or slide.

VA | PRO

BLACK & WHITE



Material: Sides and background of white leatherette. Linings and front edge of black cloth. The backrest back panel is black with a pocket.

Sutures: White

410€ / pc (incl. VAT)

Protective hood 41€ / pc (incl. VAT)

VA | PRO

BLACK & BROWN



Material: Sides of luxurious Diamante Espresso. Linings and front edge of Diamante Carbon. The backrest back panel is black with a pocket.

Sutures: Grey

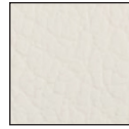
410€ / pc (incl. VAT)

Protective hood 41€ / pc (incl. VAT)



VA | PRO

WHITE ARTIFICIAL LEATHER



Material: White artificial leather upholstery. White back panel with a pocket.

Sutures: White

375€ / pc (incl. VAT)

Protective hood 41€ / pc (incl. VAT)



VA | PRO

CARBON



Material: Sides and middle part of luxurious Diamante Carbon. Middle part has a bumb texture. Linings and front edge of Diamante Carbon Fiber. The backrest back panel is black with a pocket.

Sutures: Red double sutures.

425€ / pc (incl. VAT)

Protective hood 41€ / pc (incl. VAT)

VA | MINI GT

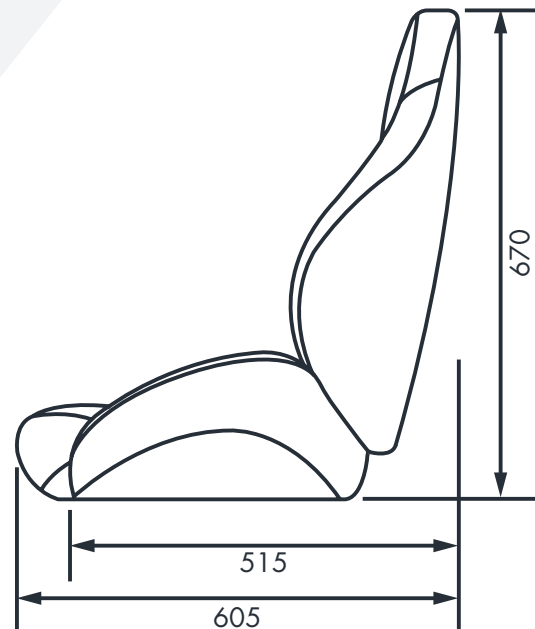
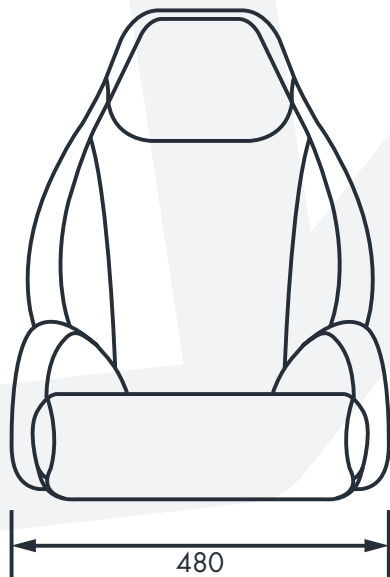
If you are looking for a touch of luxury without compromising on the special characteristics needed in a fast driving seat, the VA-Mini GT is for you. Thanks to its compact size, the VA-Mini GT is suitable for most boat models.

THIS STYLISH BOAT SEAT GIVES YOUR BOAT A WHOLE NEW LOOK

The new, higher backrest provides better support for the upper back. The front section of the seat, which can be raised, is convenient when driving standing up. It is also possible to sit on top of the front section from a standing position. Good design also provides support from the sides and keeps the driving position stable, even in rough conditions. The GT version has even better lateral supports on the backrest.

FINNISH QUALITY

The design and assembly of VA-Mini GT represent peak Finnish quality. The seat frame is produced from injection-moulded, firm and durable HDPE plastic and aluminium parts. The backrest is cast from PUR foam, providing the boat seat with a polished appearance and strong posture.



Please note that the seat price does not include the leg or slide.

VA | MINI GT



CARBON & OTOÑO



Material: Sides and back of luxurious Diamante Otoño. Linings and front edge of Diamante Carbon.

Sutures: Beige and dark grey

440€ / pc (incl. VAT)

Extra price for storage pocket:
31€ (incl. VAT)

Protective hood 46€ / pc (incl. VAT)

VA | MINI GT



LUXUS CARBON & OTOÑO



Material: Sides and back of luxurious Diamante Otoño. Linings and front edge of Diamante Carbon. Middle part with bumb texture.

Sutures: Beige and dark grey

470€ / pc (incl. VAT)

Extra price for storage pocket:
31€ (incl. VAT)

Protective hood 46€ / pc (incl. VAT)

Paneling texture available in following colours of Spradling Silvertex fabric:
Carbon, Macadamia,
Plata, Titanium

VA | MINI GT



BLACK & GREY



Material: Sides and back of obsidian leatherette. Linings and front edge eclipse leatherette.

Sutures: Dark grey

410€ / pc (incl. VAT)

Extra price for storage pocket:
31€ (incl. VAT)

Protective hood 46€ / pc (incl. VAT)

VA | SWING

VA-Swing brings additional comfort to boating. The excellent design of the thigh and back supports keeps the driving position stable, and comfort is increased by a softer, more luxurious seat cushion. VA-Swing is designed so that both sitting down and getting up to leave are easy and quick.

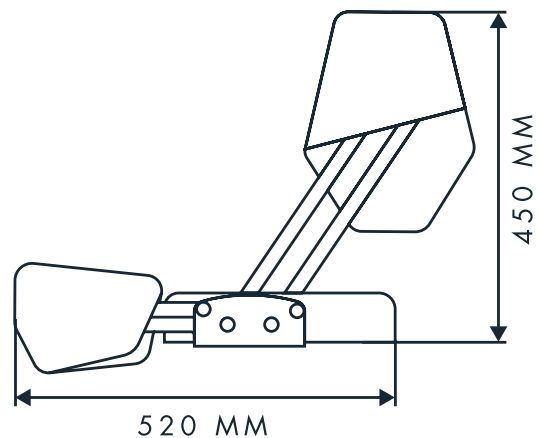
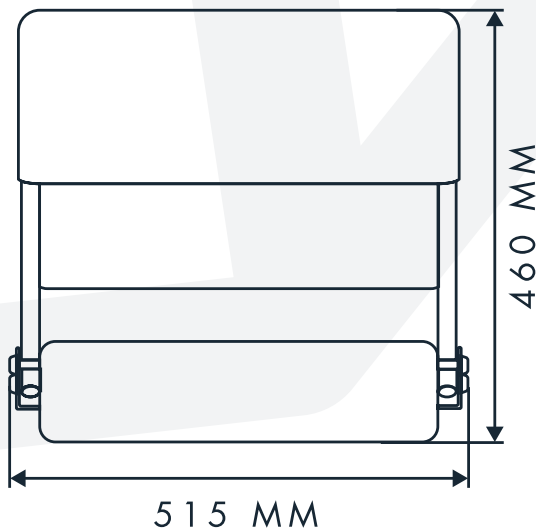
FINNISH QUALITY

Design and production of VA-Swing is Finnish quality work. Hybrid structure ensures maximum durability in heavy use.

EASE OF USE COMBINED WITH SPLENDID ADAPTABILITY

The seat's thigh and back support can be rapidly adjusted without hand screws or levers. The front edge of the seat can be raised to the upper position, which provides support for standing while driving. It is also possible to sit on top of the front edge if needed. The backrest is easily turnable to the front and back, allowing the seating direction to change according to requirement.

Also available in double width.



Please note that the seat price does not include the leg or slide.

VA | SWING



MACADAMIA & CARBON



Material: Sides and upper part of backrest are of Silvertex Macadamia fabric. Seat section and thigh support of texturized Diamante Carbon Fiber fabric.

Sutures: White

540€ / pc (incl. VAT)

Seating for two subject to additional charge 110€ / pc (incl. VAT)

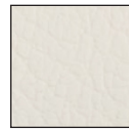
Protective hood seating for one 41€ / pc (incl. VAT)

Protective hood seating for two 61€ / pc (incl. VAT)

VA | SWING



WHITE ARTIFICIAL LEATHER



Material: White artificial leather

Sutures: White

490€ / pc (incl. VAT)

Seating for two subject to additional charge 100€ / pc (incl. VAT)

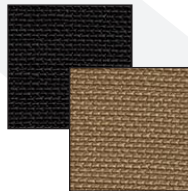
Protective hood seating for one 41€ / pc (incl. VAT)

Protective hood seating for two 61€ / pc (incl. VAT)

VA | SWING



BEIGE & BLACK



Material: Spradling Silvetex Beige, Spradling Silvertex Carbon

Sutures: Beige

540€ / pc (incl. VAT)

Seating for two subject to additional charge 110€ / pc (incl. VAT)

Protective hood seating for one 41€ / pc (incl. VAT)

Protective hood seating for two 61€ / pc (incl. VAT)

VA | SWING

BLACK & WHITE



Material: Black & white artificial leather

Sutures: White

490€ / pc (incl. VAT)

Seating for two subject to additional charge 100€ / pc (incl. VAT)

Protective hood seating for one 41€ / pc (incl. VAT)

Protective hood seating for two 61€ / pc (incl. VAT)

VA | SWING

BLUE & WHITE



Material: Spradling Silvetex Sapphire, Spradling Silvertex Ice

Sutures: White

540€ / pc (incl. VAT)

Seating for two subject to additional charge 110€ / pc (incl. VAT)

Protective hood seating for one 41€ / pc (incl. VAT)

Protective hood seating for two 61€ / pc (incl. VAT)

VA | ELITE S **ASPARRAGUS**



Material: Light coloured artificial leather

Sutures: White

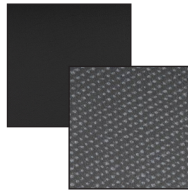
395€ / pc (incl. VAT)

Extra price for storage pocket:

31€ (incl. VAT)

Protective hood **41€** / pc (incl. VAT)

VA | ELITE S **SANDSTONE STEEL & OBSIDIAN**



Material: Sides Spradling Sandstone Steel, linings and front Nautilus Obsidian artificial leather.

Sutures: Grey

395€ / pc (incl. VAT)

Extra price for storage pocket:

31€ (incl. VAT)

Protective hood **41€** / pc (incl. VAT)

VA | ELITE S OTOÑO & CARBON



Material: Sides: Spradling Diamante Otoño, linings and front: Spradling Silvertex Carbon.

Sutures: Beige

420€ / pc (incl. VAT)
Extra price for storage pocket:
31€ (incl. VAT)
Protective hood 41€ / pc (incl. VAT)

VA | ELITE S METEOR & CARBON

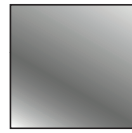


Material: Linings and front: Spradling Silvertex Carbon, sides: Spradling Diamante Meteor.

Sutures: Red

420€ / pc (incl. VAT)
Extra price for storage pocket:
31€ (incl. VAT)
Protective hood 41€ / pc (incl. VAT)

VA-MINI PROTECTIVE HOOD



Material: polyester / polyurethane

41€ / pc (incl. VAT)

VA-MINI GT PROTECTIVE HOOD



Material: polyester / polyurethane

46€ / pc (incl. VAT)

VA-PRO PROTECTIVE HOOD



Material: polyester / polyurethane

41€ / pc (incl. VAT)

VA-ELITE S PROTECTIVE HOOD



Materiali: polyester / polyurethane

41€ / kpl (sis alv.)

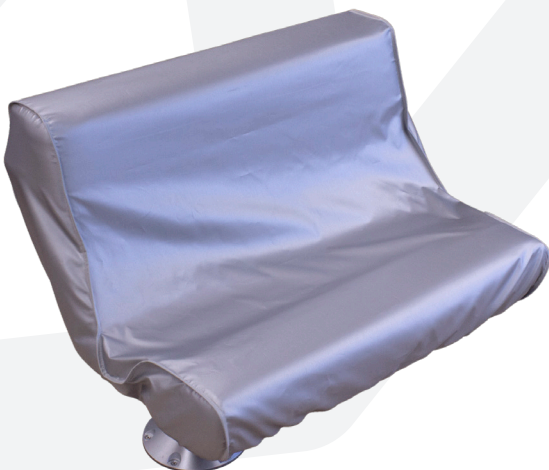
VA-SWING PROTECTIVE HOOD



Material: polyester / polyurethane

seating for one 41€ / pc (incl. VAT)

VA-SWING PROTECTIVE HOOD



Material: polyester / polyurethane

seating for two 61€ / pc (incl. VAT)



FIXED SEAT LEG + SLIDE

Leg at fixed length
Leg height 287 mm, 317 mm or 330 mm
Slide turns 360°
Length of slide 289 or 338 mm

170€ / pc (incl. VAT)

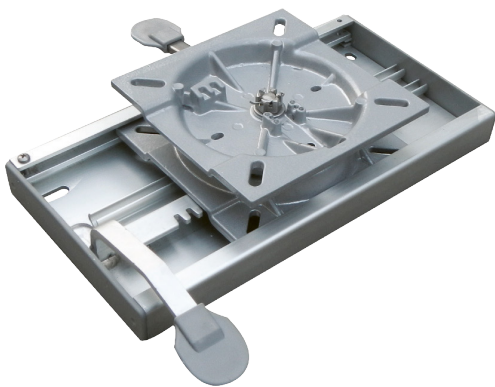
Leg separately **80€** / pc (incl. VAT)
Slide separately **95€** / pc (incl. VAT)



HEIGHT-ADJUSTABLE LEG + SLIDE

Leg height adjustment 300–400 mm
Slide turns 360°
Length of slide 338 mm

299€ / pc (incl. VAT)



ROTATING SLIDE AT FIXED SURFACE INSTALLATION

Surface-installable slide mechanism on a rotating base
Slide turns 360°
Height of system 70 mm
Length of slide 338 mm

147€ / pc (incl. VAT)

LIFTING BLOCKS FOR NARROW VA-SWING BOAT SEAT

Lifting blocks for installing narrow one-seater VA-Swing boat seat on flat surface.
Seat requires two pieces of lifting blocks.
Length 200 mm, width 28 mm, height 25 mm

Fasten with through bolting or coach screw.
Screws not included.

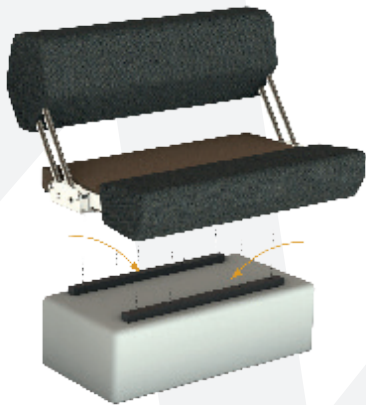
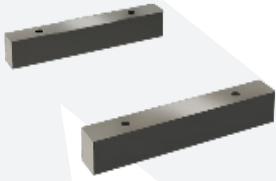
17€ / 2 pcs (incl. VAT)

LIFTING BLOCKS FOR WIDE VA-SWING BOAT SEAT

Lifting blocks for installing wide two-seater VA-Swing boat seat on flat surface.
Seat requires two pieces of lifting blocks.
Length 608 mm, width 28 mm, height 25 mm

Fasten with through bolting or coach screw.
Screws not included.

27€ / 2 pcs (incl. VAT)



VA-Swing seats that are going to be installed on leg can be bolted directly on to the seat leg.

Fasten with coach screw DIN 603 8x16 A2/A4.
Screws included.



Siikaranta 14 | 70620 Kuopio | Tel. +358 17 265 9500
asiakaspalvelu@va-varuste.fi | www.va-varuste.fi